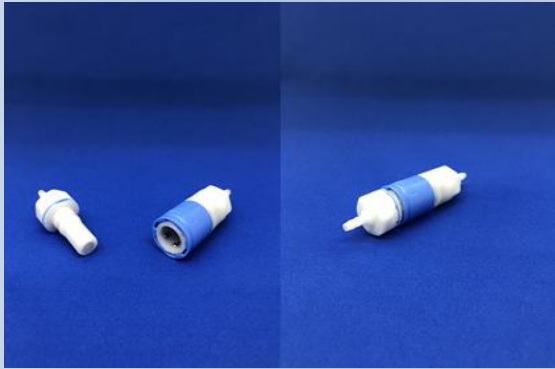


Polypropylene quick connectors QCJ Type

MOQ: 10



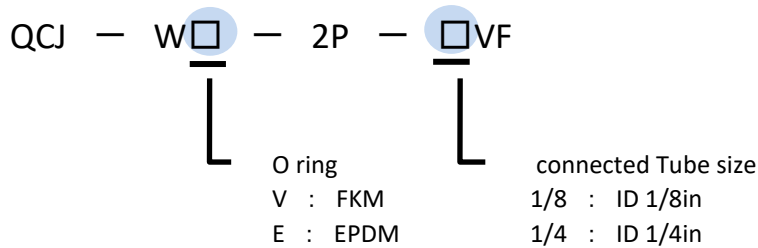
Features
<ul style="list-style-type: none"> ◎PP-made quick connectors ◎It is easy detached by the one-touch connection method ◎Non-spilled connectors(Liquid remains less than 0.1ml every disconnected) ◎Color helps identify a type of O ring material ◎Compact and lightweight design

Specification

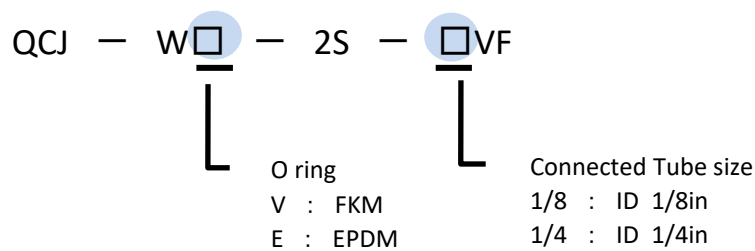
Operating pressure	0 ~0.5MPa
Withstanding Pressure (Water Pressure)	MAX 1.0 MPa
Liquid Temperature	10~50°C
Connection Size	1/8in or 1/4in Barb fitting
Wetted Parts Material	PP、SUS304、FKM / EPDM (O ring Material)

型式

● Plug



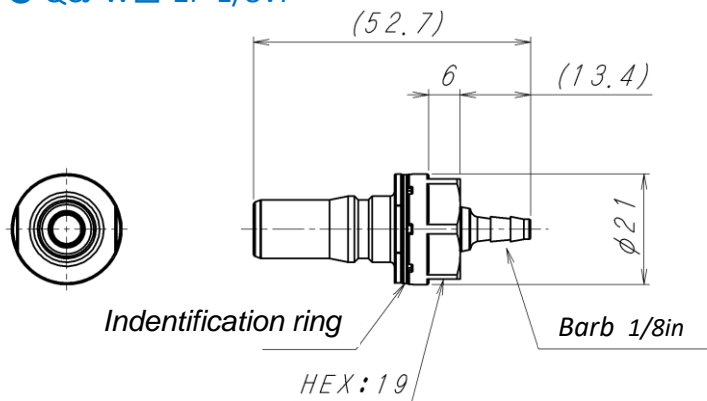
● Socket



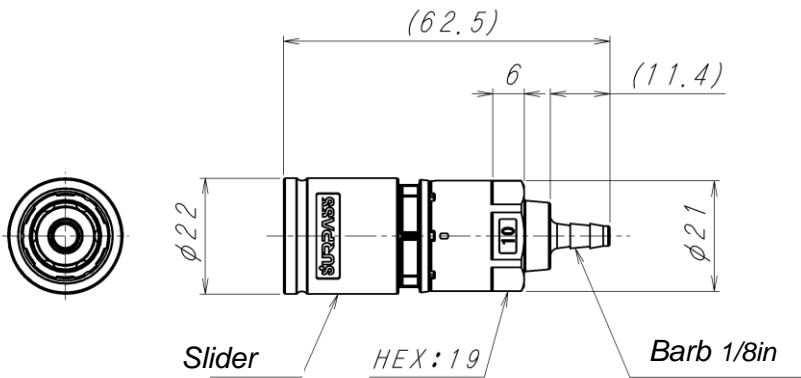
Quick Connectors

Demensions

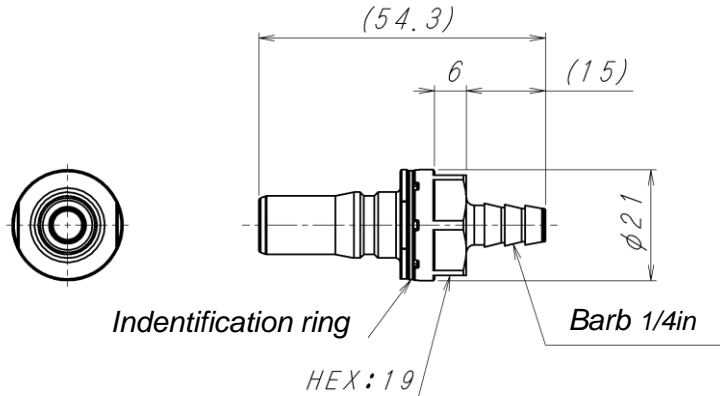
● QCJ-W□-2P-1/8VF



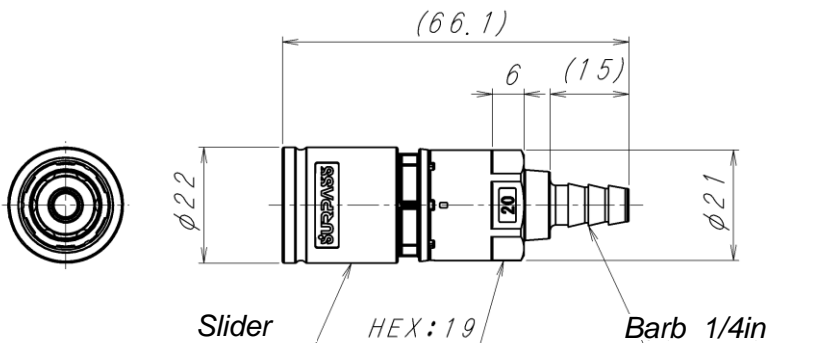
● QCJ-W□-2S-1/8VF



● QCJ-W□-2P-1/4VF



● QCJ-W□-2S-1/4VF



Color of Identification Ring and Slider

V : Gray

E : Blue

<Contact Details>

NISHIYAMA Corporation
 International Business Division
 4-11-11 Omorikita Otaku Tokyo
 Japan 143-0016
 Tel: +81-3-5767-4170
 E-mail: kokusai@nishiyama.co.jp
<http://www.nishiyama.co.jp/en/>